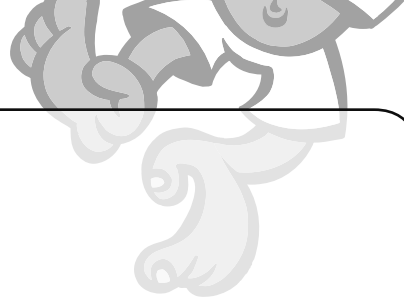
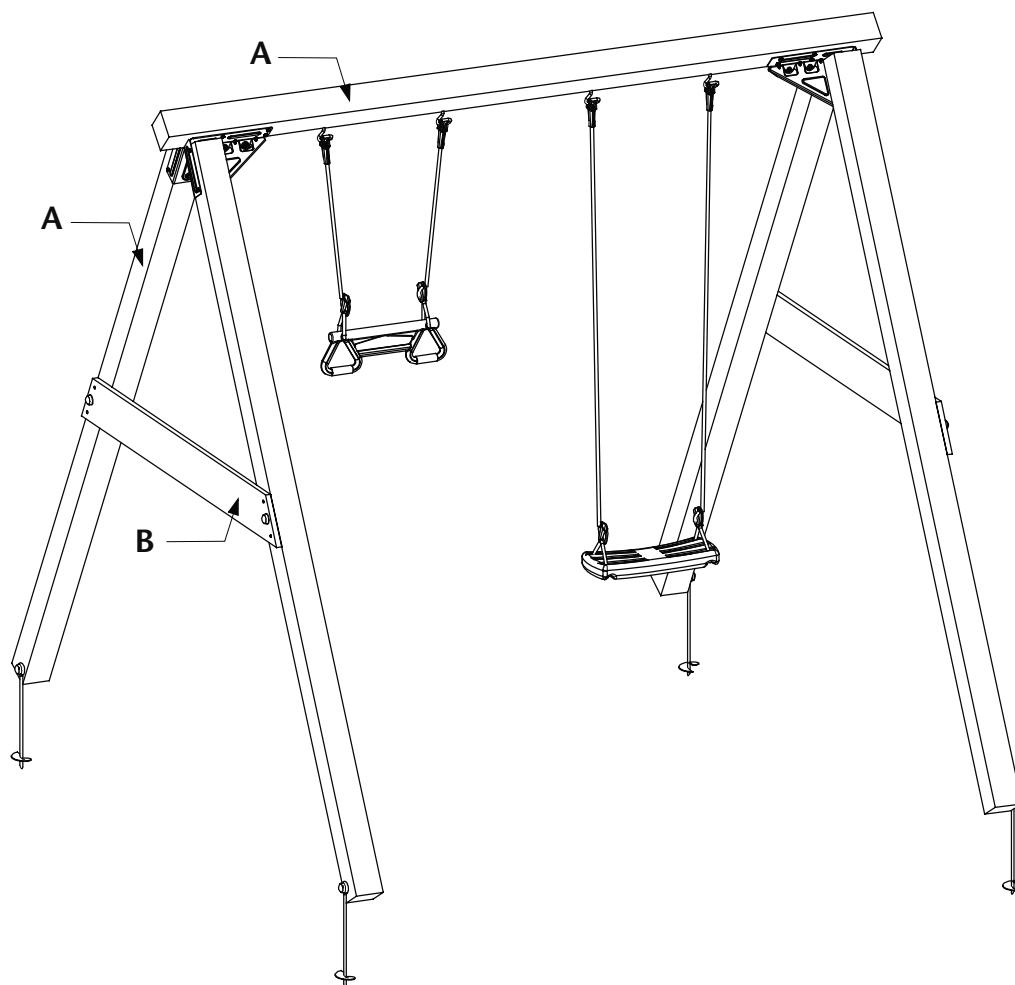


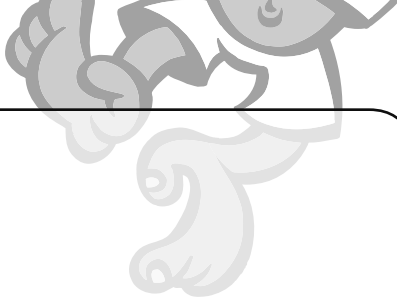
Swing



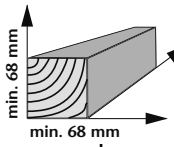
Jungle Swing TM



CE
EN 71-1 71-8

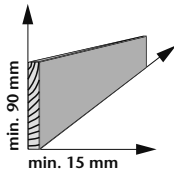


Swing



5x

A = 240 cm / 270 cm



2x

B = 145 cm